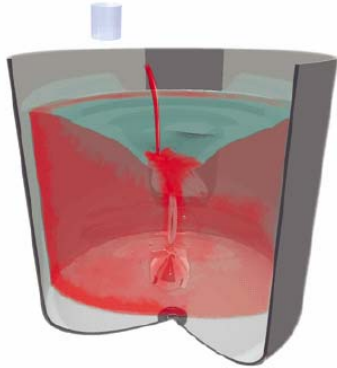


# SANIMIXER 3000®



## Applications

Bottom mounted magnetically driven mixer for critical food-, beverage-, dairy-, and cosmetic applications. Impeller, open type Sanimixer 3000®, is a cost effective alternative to top mounted mixers. It is the natural choice for applications where long shafts or mechanical seals is not allowed.

Designed for vessels from 300 – 3000 litres, vigorous mixing or 300 – 6000 litres gentle mixing (ref. water).

## References

Roplan have worldwide references and experience in manufacturing magnetically driven mixers. Using this background together with a history of manufacturing excellence and full technical support, Roplan can guide you to obtain the most user-friendly and cost-effective solution for your application.

Roplan Development Center, RDC, is available for confidential customer product testing.

## Features

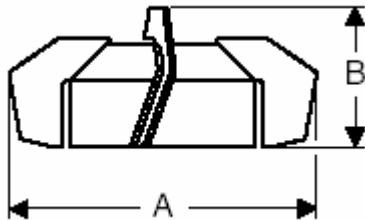
- Bottom mounting allows mixing to the last drop.
- No need for shafts or mechanical seals.
- No sedimentation.
- No foaming.
- Fully CIP/SIP (Clean In Place/Sterilisation In Place) by flooding or spray ball.
- Easy insert and removal of impeller.
- Easy removal of the drive unit by bayonet coupling.
- Impact resistant bearing can easily be removed for inspection and maintenance.
- No overhead space needed.

## Specifications

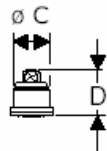
- All wetted parts 1.4435 (AISI316L) Stainless steel.
- Bearing in Tungsten Carbide as standard. Silicon Carbide as option.
- Drive unit with variable speed between 0 to 350 rpm when using frequency inverter.
- Lightweight drive unit.
- CE and UL approved.
- All parts in contact with media are fully FDA compliant. O-rings in Viton.
- Patent pending.
- 3A application filed.
- Surface finish Ra 0,8
- Temperature max 150°C.

# Principal Drawing

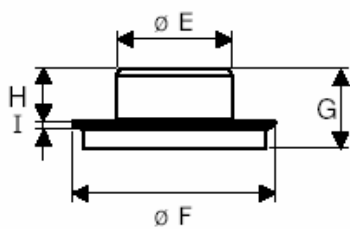
**Impeller**



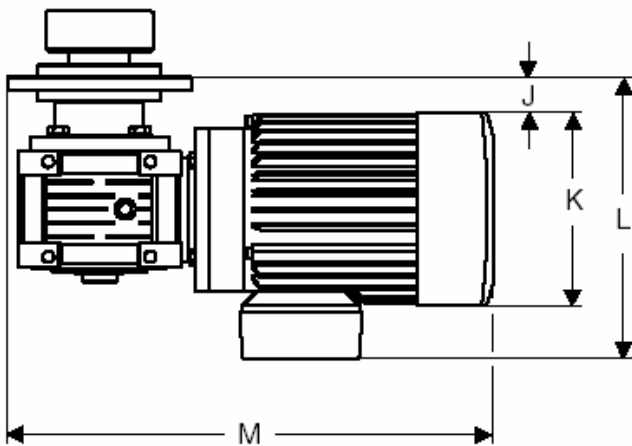
**Bearing**



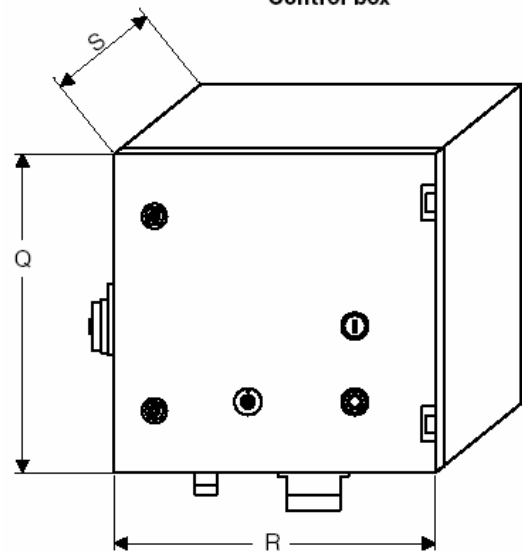
**Welding plate**



**Drive unit**



**Control box**



**Technical information**

A	201	J	8
B	110	K	178
C	34	L	219
D	50,5	M	410
E	85	N	63
F	149	O	224
G	59	Q	360
H	39	R	360
I	6	S	240

Motor 1100 W AC, max torque 14 Nm

