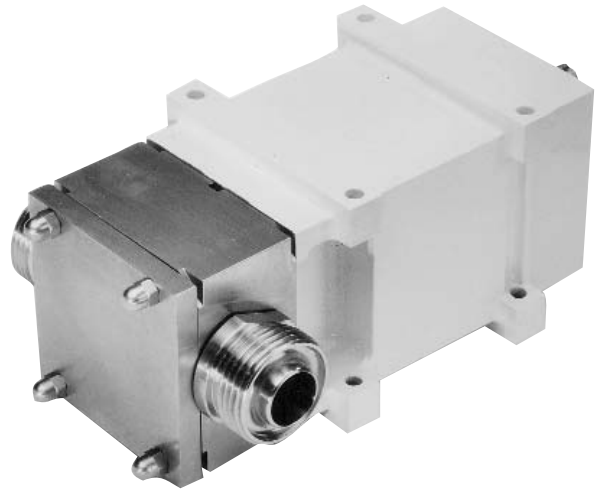


Series 'S' Lobe Gear Pumps Spare Parts Catalogue

Parts List

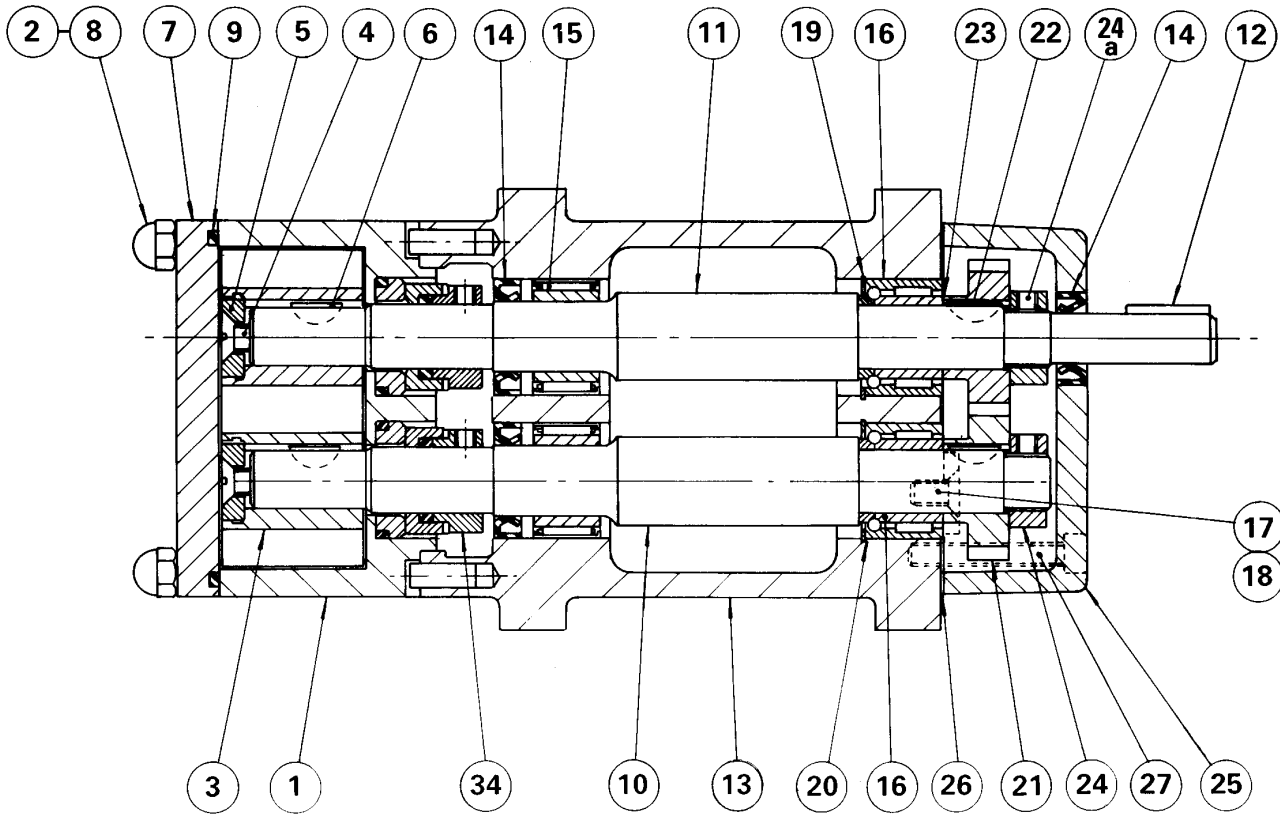


PARTS LIST FOR BASIC PUMP			
Key Number	Description	Number Required	Part Number
1	Rotor Case - Standard	1	24953-2000
	- Heated	1	24953-2002
	- Stud	4	24951-0000
3	Rotor Kit - Standard	1	24952-0001B
	- PTFE Coated	1	24952-0000B
	- Tri-Lobe	1	24952-0007B
4	- Clamp Screw	2	X3005-180F
5	- Clamp Washer	2	24974-0000
6	- Drive Key	2	SP1402-0200
7	End Cover - Standard	1	24954-0000
	- Recessed	1	24954-0003
	- Heated	1	24954-0002
8	- Nut	4	X3071-002F
9	O Ring - Nitrile	1	X4020-379A
	- Viton	1	X4020-379B
	- PTFE	1	X4020-379E
10	Shaft - Driven	1	24958-0000
11	- Driving	1	24957-0000
12	- Key	1	X4000-148A
13	Bearing Housing	1	24955-0000
14	- Lip Seal Kit	1	24982-9000
15	Bearing - Front	2	24976-0000
16	- Rear	2	SP2601-0454
17	- Clamp Pad	4	24961-0000
18	- Clamp Screw	4	X3005-178A
19	- Retaining Ring	2	SP1701-4438
20	- Shim Kit	1	24966-9000B
21	Timing Gear Kit	1	24959-9000B
22	- Drive Key	2	SP1402-0200
23	- Shim Kit	1	24965-9000B
24	Timing Gear Nut Kit	1	24962-9000B
24a	- Lockscrew	2	X3009-145A
25	Timing Gear Cover	1	24956-0000
26	- Gasket	1	24967-0000
27	- Screw	4	X3007-190A

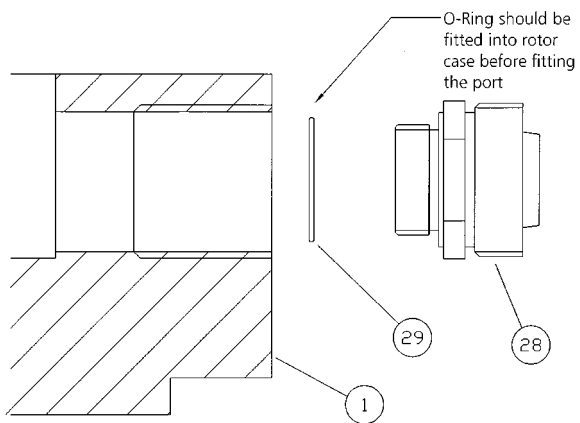
PARTS LIST FOR HYGIENIC PORTS (POST 1989)			
Key Number	Description	Number Required	Part Number
28	Port Kit - Clamp	1	24355-1100B
	- IDF	1	24355-3100B
	- RJT	1	24355-4100B
	- 3A	1	24355-5100B
	- DIN	1	24355-6100B
	- SMS	1	24355-7100B
29	Seal Ring - Nitrile	2	X4020-324A
	- Viton	2	X4020-324B
	- PTFE	2	X4020-324E

PARTS LIST FOR SEAL OPTIONS			
Key Number	Description	Number Required	Part Number
Packed Gland			
30	Gland Ring	4	24973-0000
31	Gland Follower	2	24355-3100B
32	Stud	4	24971-0000
33	Nut	4	X3070-092F
Mechanical Seal			
34	Standard Seal	2	SP6080-0416
	Hard Faced Seal	2	SP6080-0434
	Pinned - Standard Seal	2	SP6080-0468
35	O-Ring - Seal Seat - Nitrile	2	X1990-100
	- Viton	2	X1990-101
	- PTFE	2	X1990-102
36	- Seal Rotary - Nitrile	2	X1990-12
	- Viton	2	X1990-98
	- PTFE	2	X1990-99

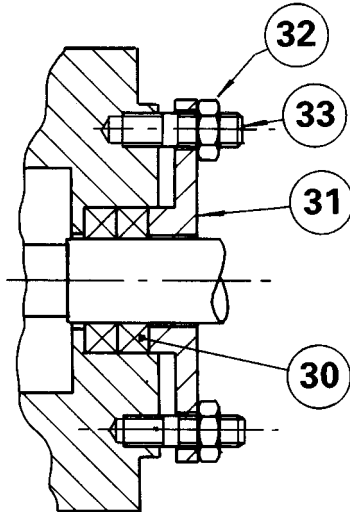
Basic Pump



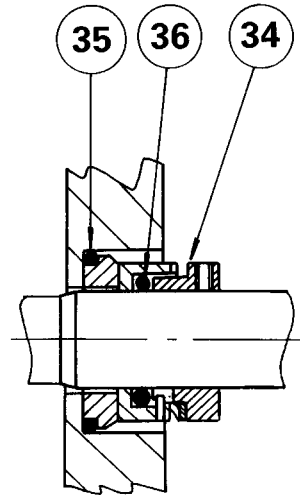
Port Detail



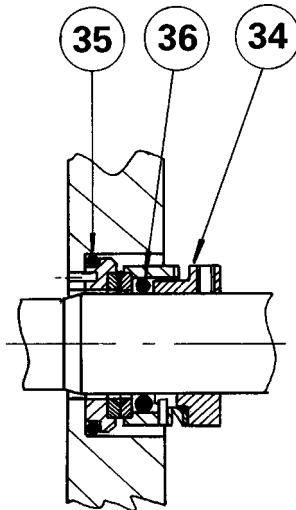
Packed Gland



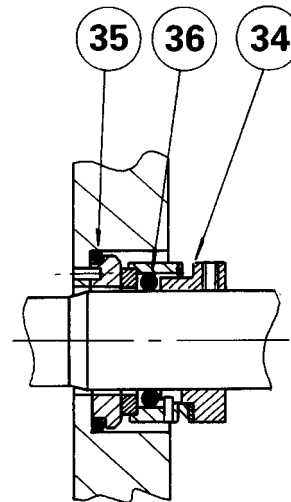
Hygienic Mechanical Seal



Hard Faced Mechanical Seal



Pinned Mechanical Seal



NOTE: Always make sure that pump is disconnected from power/drive source before attempting any manual checks.

Please refer to Operating and Maintenance Manual SD555 and Addendum for 'S' Series for more detailed information on maintenance, operation and safety.



Series 'S' Lobe Gear Pumps

06/06

4

Model Numbering System

- Base Number -** 24950
- Dash Number -**
- 1st Digit - Port Type**
- 1 - Clamp (BS4825 pt 3)
 - 2 - BSP (Internal)
 - 3 - IDF (ISS) (BS4825 pt 4)
 - 4 - BS1864 (RJT)
 - 5 - 3A (BS3581)
 - 6 - DIN 11851
 - 7 - SMS 1146
- 2nd Digit - Seal Type**
- 0 - Packed Gland
 - 2 - Hard Faced Mechanical Seal
 - 3 - Standard Mechanical Seal
 - 8 - Standard Pinned Mechanical Seal
- 3rd Digit - Rotor Type**
- 1 - Standard Eight Tooth Rotor
 - 7 - Tri-Lobe
- 4th Digit - End Cover Type**
- 0 - Plain
 - 4 - Heated
- Suffix Letter - Pump Head Elastomer**
- V - Viton
 - P - PTFE

Example -

Pump Model

2 4 9 5 0 - 2 3 1 0 V

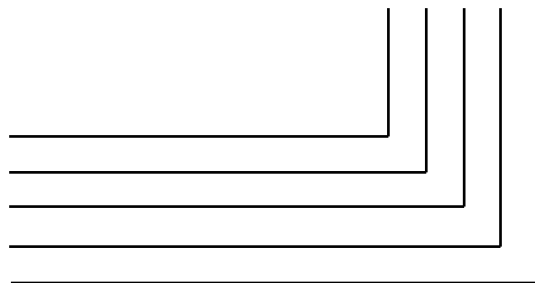
BSP Ports

Standard Mechanical Seal

Standard Rotor

Plain End Cover

Viton Pump Head Elastomers



ITT

Engineered for life

JabSCO, 1 Kondelin Road, Cape Ann Industrial Park, Gloucester, MA 01930
Tel: +1 978 281 0440 Fax: +1 978 283 2619

USA

JabSCO, Bingley Road, Hoddesdon, Hertfordshire, EN11 0BU
Tel: +44 (0) 1992 450 145 Fax: +44 (0) 1992 467 132

UK

NHK JabSCO Co Ltd, 3-21-10, Shin - Yokohama Kohoku-ku, Yokohama 222
Tel: +81 (0) 45 475 8906 Fax: +81 (0) 45 475 8908

JAPAN

JabSCO GmbH, Oststraße 28, 22844 Norderstedt
Tel: +49 (0) 40 53 53 73 0 Fax: +49 (0) 49 53 53 73 11

GERMANY

JabSCO Italia, s.r.l., Via Tommaseo, 6, 20059 Vimercate, Milano
Tel: +39 039 685 2323 Fax: +39 039 666 307

ITALY