

PUMPS

Product overview, technology and application areas



NETZSCH Group

Since 1873 NETZSCH has been developing and manufacturing instruments and machines for research and industry. Today the group consists in three global business units and employs more than 2200 people.

Business Unit ANALYZING and TESTING

Business Unit GRINDING and DISPERSING

Business Unit PUMPS

NETZSCH Holding

The NETZSCH Holding builds the bridge between the owning family and the business units and is mainly involved in the group strategy and the financial management.



CONTENTS

NETZSCH Group	2
Business Unit PUMPS	4 - 5
Business Fields	6
Products and Components	7
Characteristics and Construction of the NEMO® Progressing Cavity Pumps	8 - 9
Product Programme Overview NEMO® Progressing Cavity Pumps	10 - 15
Product Programme Overview NEMO® Immersible Pumps	16 - 17
NEMO® Geometries	18 - 19
NEMO® Joints	20 - 21
NETZSCH in the Oilfield	22 - 23
NETZSCH Dosing & Emptying	24 - 27
TORNADO® Rotary Lobe Pumps	28 - 29
M-Ovas® Macerator	30 - 31
NETZSCH Taskmaster® Twin Shaft Macerator	32 - 33
Accessories and Services	34 - 35

Development, production and sales



Europe, Middle East, Africa
NETZSCH Mohnpumpen GmbH Waldkraiburg, Germany



Central and South America
NETZSCH do Brasil Ltda. Pomerode, Brasil



USA and Canada
NETZSCH Incorporated Exton PA, USA



Asia and Pacific
NETZSCH Lanzhou Pumps Lanzhou, China

Who we are.

For more than five decades we've been supplying worldwide NEMO® progressing cavity pumps, TORNADO® rotary lobe pumps, screw pumps, macerators/grinders, dosing systems and equipment for custom built and challenging solutions for your applications.

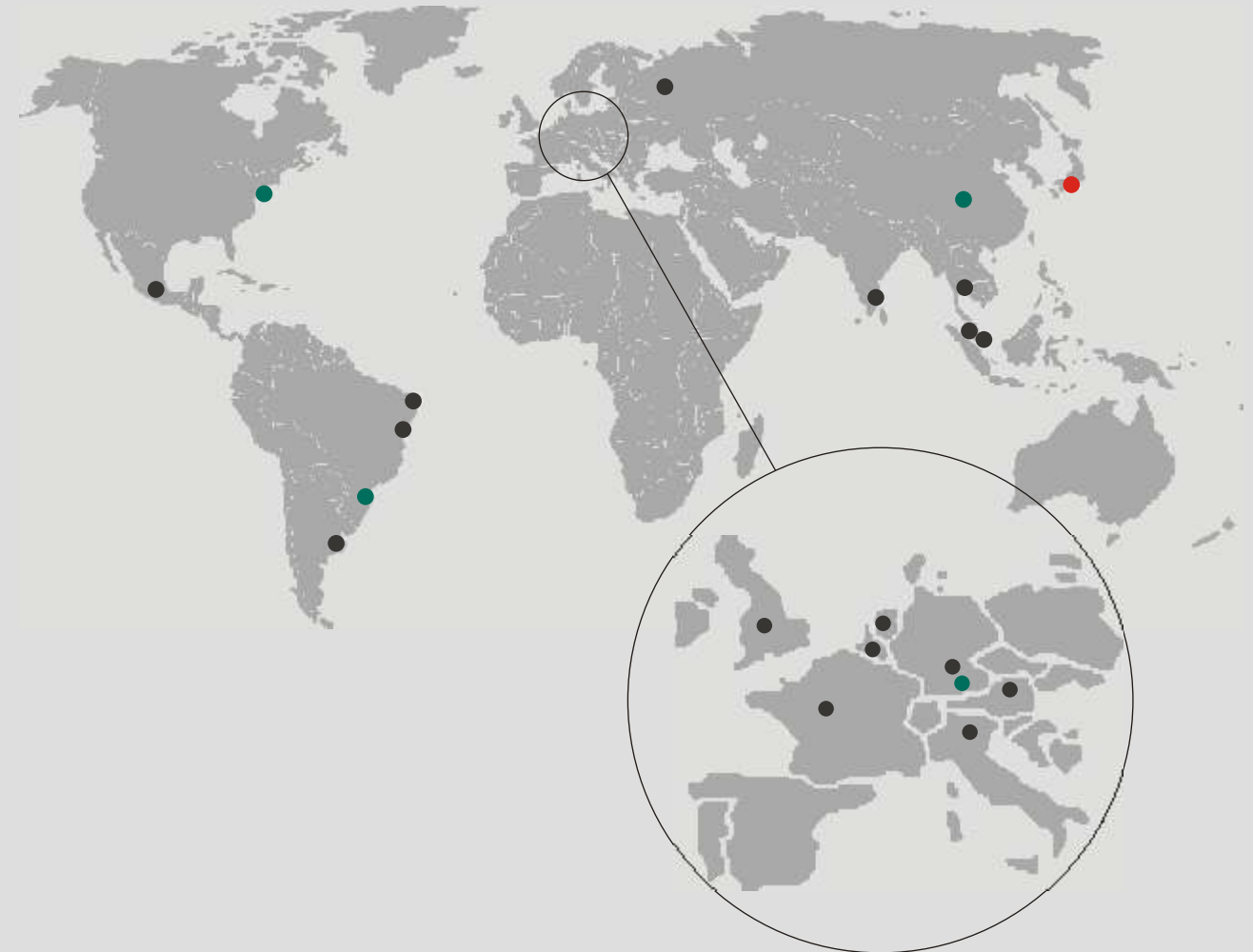
Our goals.

NETZSCH wants to expand its worldwide market and technology leadership for the benefit of our customers. Hereby we don't see ourselves only as a developer and manufacturer, but more as your partner from project planning through case management to complete service concepts.

We set benchmarks.

Our innovative and high quality products are globally much valued and accepted.

Locations



● Development and production sites

● International Sales Office

● Cooperation partner HEISHIN Ltd., Japan

In the region for the region.

With more than 1 300 employees at four development and production sites as well as 20 sales offices, a cooperation partner (in Japan) and another 200 NETZSCH representatives we are close to you wherever you are.

Our Quality.

With the worldwide implementation of common standards in accordance with DIN EN ISO 9001 in development and research we guarantee the highest quality at each production site.

Our position.

With a production of over 40000 pumps per year we underline our technology and market leadership.

General

Permanently quickening development cycles together with constantly increasing process requirements call for ambitious and uncompromising solutions for all industries. Through our worldwide business field organisation with experienced and competent specialists we meet and exceed the requirements of our customers.



Business Field Environmental & Energy

Waste water treatment, agriculture, construction industry, mining and smelting works, renewable energies, electroplating, ship chandlers, waste water and drinking water purification and similar

For further information simply order brochure NMP • 307/02



Business Field Chemical, Pulp & Paper

Building material, biofuel, chemical and biochemical, paint and varnish, wood processing, ceramics and glass, leather/tanneries, paper and pulp/ cellulose, explosives, textile and similar

For further information simply order brochure NMP • 306/02



Business Field Food & Pharmaceutical

Bakery products, breweries, fish and meat processing, beverages, dairies, fruit processing, pharmaceutical and cosmetic products, wine, sugar and starch and similar

For further information simply order brochure NMP • 308/02



Business Field Oil & Gas

On and offshore oil production, oil transfer, petrochemicals, refineries and similar

For further information simply order brochure NMP • 309/02



Business Field Dosing & Emptying

Cars, trains, planes and ship construction, electrical, renewable energies, pharmacy, food, bonding and sealing and similar

For further information simply order brochure NMP • 330/02

NEMO® Progressing Cavity Pumps

- Standard pumps
- Hopper pumps
- Hygienic and Aseptic pumps
- Immersible pumps
- Downhole pumps
- Multi phase pumps
- High-pressure pumps (injection pumps)
- Custom-built pumps

TORNADO® Rotary Lobe Pumps

- Standard pumps
- Hygienic pumps
- Mobile pumps
- Custom-built pumps

NETZSCH Dosing systems and barrel emptying pumps

- Dosing systems
- Automatic Dosing systems with linear or six axis robot
- Dispenser and hand dispenser
- Dosing components and controls
- Barrel emptying pumps

NETZSCH Macerators

- Cutting plate macerator
- Twin shaft macerator

NETZSCH Accessories

- Protection devices
- Pressure relief valves
- Controls
- Trailers
- Tools

Characteristics and Typical Components of the NEMO® Progressing Cavity Pumps



Universal installation

NEMO® Progressing Cavity Pumps are utilized in various industries to convey many types of fluids in a continuous, low pulsating manner, while maintaining an accurate flow.

Wide Range of Applications

The pumps are specifically designed for products with the following characteristics:

- high solids content (maximum particle size up to 6" / 150 mm) and free of solids
- low to high viscosity (1 mPas - 3 million mPas)
- thixotropic and dilatant
- shear-sensitive
- abrasive
- lubricating and non-lubricating
- aggressive (pH 0 - 14)
- adhesive
- toxic

Large Range of Capacities and Pressures

- capacities from a few millilitres up to 500 m³/h (2200 gpm)
- number of stages ranging from 1 up to 8 for pressures up to 48 bar (680 psi)

Various Conveying Elements

Four different rotor/stator geometries are available allowing optimisation of the pump characteristics for specific applications.

Extensive Range of Materials of Construction

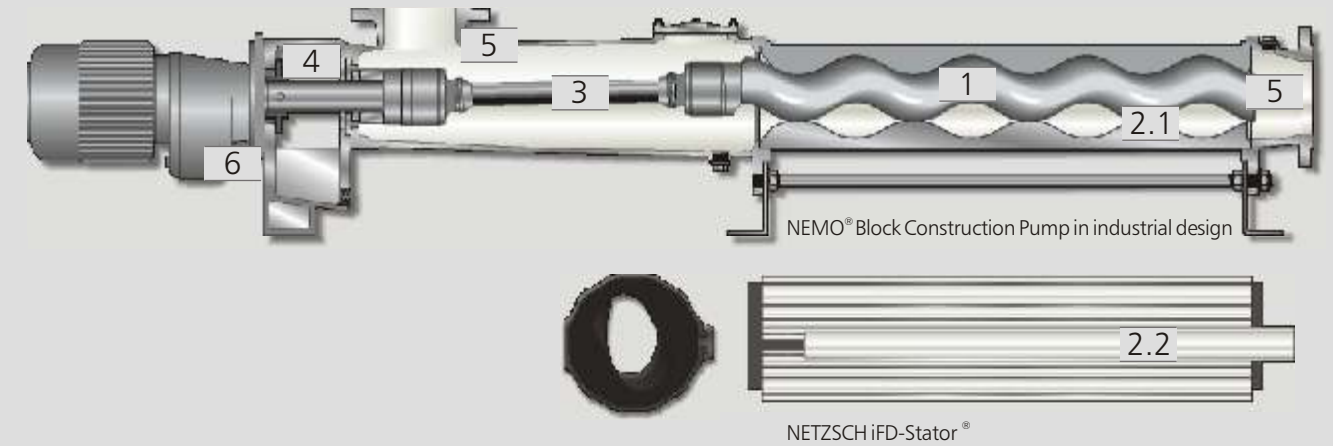
Wetted parts are available in numerous materials. Standard housings are made of cast iron and stainless steel. Parts are available in mild steel, stainless steel and tool steel. Other materials are available upon request. Elastomers like highly abrasion resistant natural rubber, oil-, acid- and alkali-proof elastomers, Aflas and Viton are available. When elastomers cannot be used due to high temperatures or compatibility reasons, NETZSCH offers a variety of solid materials.

A Wide Variety of Shaft Sealing Options

Shaft seals range from single-acting mechanical seals, with and without quench, to double-acting mechanical seals in back-to-back or tandem arrangement as well as cartridge seals as per customer specification. For certain applications there are gland packings, lip seals and specially designed seals. In the case of toxic fluids we offer a pump with a magnetic coupling which is 100 % leakproof.

Additional Features

- high suction capability up to 9 mwc (30 ftwc)
- reversible direction of rotation and thus flow
- installation in any position
- smooth and quiet operation
- temperatures of -20 up to +200 °C (-5 up to +570 °F)



1 Rotor

Wear and corrosion resistant design.

2.1 Stator with conventional technology

Vulcanised into a tube, with integrated seals on both ends in a variety of elastomers, plastics or metals. Stator inlet with chamber to facilitate the entry of the fluid into the conveying chamber.

2.2 Stator with iFD-technology

The stator consists of a disposable elastomer part and an aluminium outer sleeve in which the elastomer is housed. The advantages of this new technology are the reduced starting torque, the higher degree of efficiency, longer lifetime, simple and quick change as well as the unproblematic disposal.

For further information simply order brochure NMP • 344/02.

3 Drive Chain

Plug in shaft with coupling rod and two universal joints for power transmission from the drive to the rotor. For further details please see pages 20 and 21.

4 Shaft Seal

Standard design with single-acting, wear-resistant, bidirectional mechanical seal; on request different types of single/double-acting mechanical seals by various manufacturers, cartridge and other special seals as well as gland packing. For toxic fluids, magnetic, leakage-free couplings are available.

5 Suction and Pressure Housing

Designed to optimise through flow with flanges or threads according to DIN and other international standards. Materials in cast iron, nickel chromium steel, rubber-coated cast iron as well as special materials according to specifications.

6 Block Construction Design

A drive flanged directly to the housing reduces length, weight and gives a constant shaft height, independent of construction and size of the drive. It is both maintenance- and service-friendly as well as economical.

Accessories

A wide variety of protection and monitoring accessories are available for these pumps (see pages 34 and 35). For further information simply order brochure NMP • 343/02.

Conveying Elements

Four different rotor/stator geometries are available for optimised performance. For further details see pages 18 and 19.

NEMO[®] Progressing Cavity Pumps Applications, Performance and Product Programme



Performance

Capacities up to 85m³/h (360 gpm)
Pressures up to 6bar (85 psi)

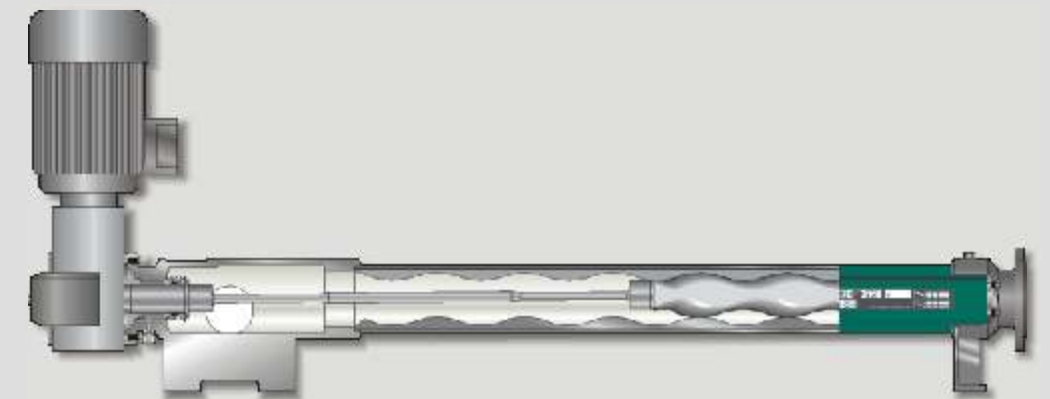
Description

Compact design with flanged robust bevel gear drive. The patented and integrated NEMOLAST[®] reversible stator and the simple design guarantees a long service life and low life cycle cost.

Range of Applications

Industrial applications in environmental industries for low to highly viscous fluids with or without solids.

NEMO[®] M.Champ[®]
in block construction design with maintenance free flexible rod and integrated reserve stator



Performance

Capacities up to 400m³/h (1,800 gpm)
Pressures up to 24bar (340 psi)

Description

Compact design with flanged drive; low investment and operating and maintenance costs. Four rotor/stator geometries for optimised performance.

Range of Applications

Industrial applications in environmental, food and chemical industries for low and highly viscous fluids with or without solids.

NEMO[®] BY
in block construction design



Performance

Capacities up to 500m³/h (2,200 gpm)
Pressures up to 48bar (680 psi)

Description

Design with bearing housing and drive shaft allows for universal use of all types of drives. Four rotor/stator geometries for optimised performance.

Range of Applications

Industrial applications in environmental, food and chemical industries for low and highly viscous fluids with or without solids.

NEMO[®] SY
with bearing housing and drive shaft



Performance

Capacities from 0.1 up to 1000l/h (0.025 up to 260 gph)
Pressures up to 36bar (510 psi)

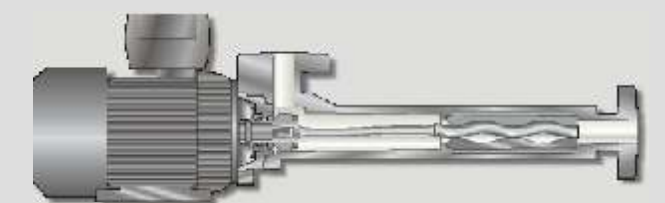
Description

High dosing accuracy (deviation < 1%). Compact design with directly flanged drive.

Range of Applications

Industrial applications in environmental and chemical industries for conveying and dosing of fluids of low or medium viscosity with or without solids.

NEMO[®] C.Pro[®]
Plastic Dosing Pump



For further information of the NEMO[®] M.Champ[®] simply order brochure NMP • 311/02
For further information of the NEMO[®] C.Pro[®] simply order brochure NMP • 313/02

NEMO® Progressing Cavity Pumps Applications, Performance and Product Programme



Performance

Capacities up to 200 m³/h (880 gpm)
Pressures up to 12 bar (170 psi)

Range of Applications

Industrial applications in environmental, food and chemical industries for highly viscous and non free-flowing fluids with or without solids.

Description

Housing with removable rectangular/square hopper and coupling rod with feeding screw with or without force feed chamber for easier entry of the fluid into the rotor and stator.

NEMO® BO / BS
in block construction design
with directly flanged drive

or as
NEMO® SO / SS
with bearing housing
and drive shaft



Performance

Capacities up to 200 m³/h (880 gpm)
Pressures up to 48 bar (680 psi)

NEMO® BF / SF with aBP-Module™
available from size NM045 up to
NM090

Range of Applications

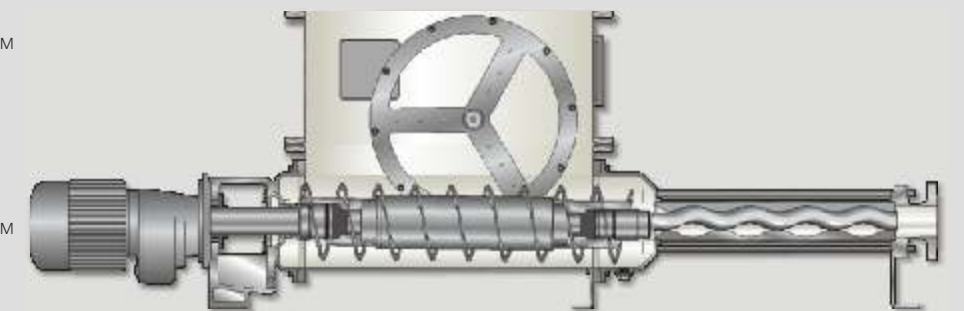
Industrial applications in environmental and chemical industries for highly viscous, compact and crumbly media that does not have a tendency to bridge. For media which tend to build bridges the pump is available with aBP-Module™.

Description

Housing with removable, enlarged rectangular hopper and tapered force feed chamber as well as coupling rod with patented, positioned feeding screw for optimal transfer of the medium to the rotor and stator.

NEMO® BF
optional with aBP-Module™
in block construction
design with directly flanged drive

or as
NEMO® SF
optional with aBP-Module™
with bearing housing
and drive shaft



Performance

Capacities up to 200 m³/h (880 gpm)
Pressures up to 48 bar (680 psi)

NEMO® BP / SP available from size
NM090

Range of Applications

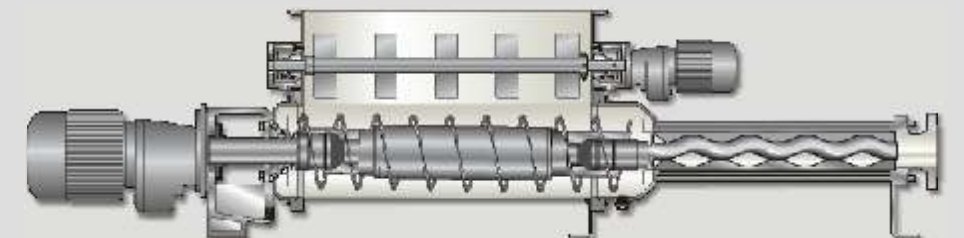
Industrial applications in environmental and chemical industries for compact and crumbly media that may have a tendency to bridge.

Description

Housing with integrated bridge breaker, mixing additions, enlarged rectangular hopper and tapered force feed chamber as well as coupling rod with patented, positioned feeding screw for optimal transfer of the medium to the rotor and stator.

NEMO® BP
in block construction
design with directly flanged drive

or as
NEMO® SP
with bearing housing
and drive shaft



Performance

Capacities up to 70 m³/h (308 gpm)
Pressures up to 48 bar (680 psi)

Range of Applications

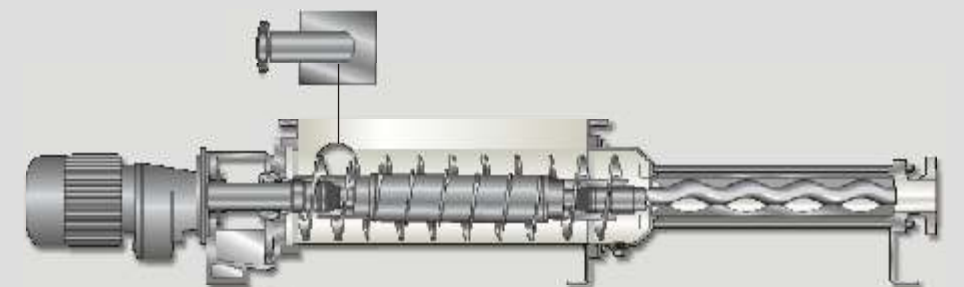
Industrial applications in the biogas technology in environmental industries for highly viscous and non free-flowing fluids with or without solids.

Description

Housing with large, rectangular/square hopper and tapered force feed chamber, as well as coupling rod with patented, positioned feeding screw for optimal transfer of the medium to the rotor and stator. The ideally placed flushing stud at the hopper housing sees to the best (possible) blending of the substrates.

NEMO® B.Max™
in block construction
design with directly flanged drive

or as
NEMO® B.Max™
with bearing housing
and drive shaft



Technical Information

Adjustment of hopper dimensions to specific applications is possible.

For further information of the aBP-Module™ simply order brochure NMP • 070/02
For further information of the B.Max™ simply order brochure NMP • 060/02

NEMO[®] Progressing Cavity Pumps

Applications, Performance and Product Programme



General

The pumps are designed and manufactured according to EHEDG and QHD-standards; they are suitable for CIP and SIP and are constructed in accordance with the US 3-A Sanitary Standards. Three rotor/stator

geometries for optimal performance (except for NEMO[®] Hygienic Mini Plus).

Range of Applications

For hygienic applications and optimal cleaning in food, pharmaceutical, cosmetics and chemical/biochemical industries for non-viscous up to highly viscous fluids with or without solids.

Performance

Capacities up to 140m³/h (620gpm)
Pressures up to 24 bar (340 psi)

Description

Compact design with directly flanged drive resulting in low initial invest-

ment, and economical operation and maintenance.

NEMO[®] BH
Hygienic Pump



Performance

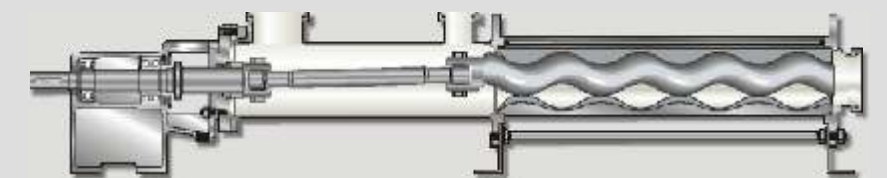
Capacities up to 140m³/h (620gpm)
Pressures up to 24 bar (340 psi)

Description

The crevice, wear and maintenance-free flexible rod allows the conveyance of highly sensitive and abrasive products.

Design with bearing housing and drive shaft allows for the use of all types of drives.

NEMO[®] SH
Hygienic Plus Pump



Performance

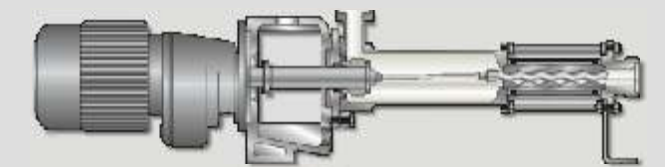
Capacities of 0.1 up to 500l/h
(0.025 up to 130gph)
Pressures up to 36 bar (510 psi)

Description

The smooth crevice-free flexible rod requires no maintenance and is not subject to wear, thus enabling the conveyance of highly sensitive and abrasive products. Compact design

with directly flanged drive resulting in low initial investment, and economical operation and maintenance. High dosing accuracy (deviation < 1%).

NEMO[®] MINI BH
Mini Hygienic Plus Pump



Performance

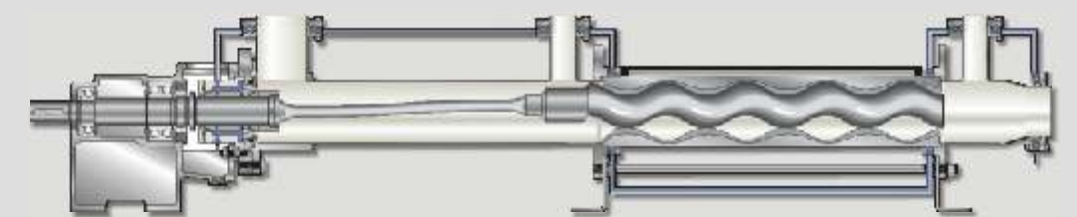
Capacities up to 140m³/h (620gpm)
Pressures up to 24 bar (340 psi)

Description

The smooth crevice-free flexible rod requires no maintenance and is not subject to wear, thus enabling the conveyance of highly sensitive and abrasive products. The pump housing has a reduced diameter as well as a product entry moved towards the shaft seal (discharge in vertical position). This creates an absolutely crevice-free pump body generating an optimised flow of the product through the pump. For complete self-emptying, flushing ports are arranged tangentially and pressure

ports are arranged eccentrically. To avoid contamination from the atmosphere, all seals are equipped with connections for flushing with sterile fluids, vapour or condensate and fitted with optional tubing. For changing product temperatures a standard stator with reduced wall thickness and a stator protector for dry running and overheating protection is available. Design with bearing housing and drive shaft allows for the use of all types of drives.

NEMO[®] SA
Aseptic Pump



NEMO® Immersible Pumps

Applications, Performance and Product Programme



General

NEMO® semi-submersible pumps are used for emptying barrels, containers, tanks, clarifiers, pits, etc. They are also used where space is limited and when cavitation may be a danger or where low NPSH is available. Furthermore the pumps are suitable for emptying barrels containing materials harmful to water and the environment where emptying through a connection at the bottom of the barrel is not permitted.

Performance

Capacities up to 140m³/h (620gpm)
Pressures up to 24bar (340psi).

Depending on the application a number of designs/immersion variations are available. The immersion depth is adjusted as required by the application.

Description

Compact design with directly flanged drive. Four rotor/stator geometries for optimal performance. Immersion depth up to 10 m. The length of the immersed tube can be modified by using an extended pump housing or an additional suction pipe or a combination of both.

NEMO® Immersible Pump BT with Suspension Bracket

This pump is used for emptying open barrels and containers. It is equipped with a suspension bow for crane suspension. Immersion depth up to 3 m.

NEMO® Immersible Pump BT with integral Mounting Plate and Discharge Connection

This pump is used in closed pits, tanks and containers where there is the possibility to vertically flange mount the pump to the tank lid. Depending on pump size, speed and immersion depth up to 10 m, an additional support guide is available to secure the pump to the bottom or to the wall near the bottom. Removal of the pump from a full tank is possible because the guide units are self-centering and secure the pump suction without fixings.

The pump with discharge connection below the mounting position the discharge connection of the pump is below the tank lid. The product is either piped to the outside vertically through the lid via a 90° elbow or horizontally through the tank wall. This minimises the dead space in the pump housing thus reducing the overall height of the pump above the tank lid. This version is normally used where there is only limited space available.

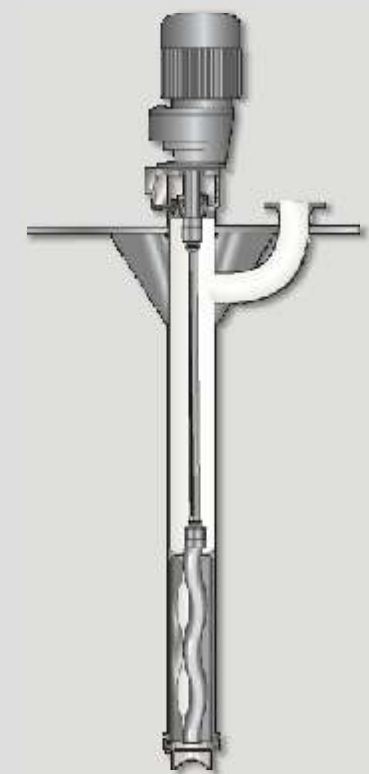
NEMO® Immersible Pump BT with suspension bracket



NEMO® Immersible Pump BT with integral mounting plate and discharge connection above the mounting plate



NEMO® Immersible Pump BT with integral mounting plate and discharge connection below the mounting plate



Operational Characteristics and Conveying Principle of NEMO® Pumps in Different Geometries

Modular Design

NEMO® Pumps belong to the group of rotary positive displacement pumps. The conveying elements consist of the rotor which rotates within the fixed stator. As all four pump geometries

have the same outer dimensions, we have a modular design where - apart from rotor and stator - all other components are identical. When a change in flow rate or pressure is

required, installed NEMO® Pumps can be adapted to the new operating conditions by simply changing rotor and stator.

S/L-Geometry

The single helical screw/rotor has a circular cross section, an extremely long pitch and large thread depth which oscillates when the rotor is turned within the fixed stator. The cross section of the stator is the same profile as that of the rotor, however, the stator is a 180° internal twin start thread. As a result of the 1/2 ratio lobe geometry cavities are formed between the rotor and stator when the two are put together. By the turning movement of the rotor the progressing cavities between rotor and stator transport the fluid in a

smooth and continuous manner from the suction to the discharge side of the stator. The flow rate is determined by the pitch of the rotor/stator, diameter and eccentricity as well as the speed of the pump. The pressure capability depends on the number of stages and the differential pressure per stage up to 6 bar (85 psi). The 2-stage NEMO® Pump in S-geometry can reach a differential pressure up to 12 bar (170 psi) with a flow rate of 100%. A single-stage NEMO® Pump in L-geometry, has the same outer

dimensions as the 2-stage pump in S-geometry, the same diameter and eccentricity but a pitch double that of the S-geometry rotor/stator. Therefore, the pump produces a flow rate of 200% when compared to the S-geometry at a differential pressure of up to 6 bar (85 psi).

D/P-Geometry

The twin start helical rotor has an elliptical cross section, a long pitch and large thread depth. It rotates within a circular eccentric motion within the fixed stator, the form of which is the same geometry as the rotor, however, the stator is a triple start internal thread with 120° interval starts. As a result of the 2/3 ratio lobe geometry cavities are formed between the rotor and stator when the two are put together. By the turning movement of the rotor, the progressing cavities between rotor and stator transport the fluid in a smooth and continuous manner from the suction to the discharge side of the stator. The flow rate is

determined by the pitch of rotor/stator, elliptic diameter and eccentricity as well as the speed of the pump. The pressure capability depends on the number of stages with the differential pressure being up to 6 bar (85 psi) per stage. In D/P-geometry the cavities are approximately 75% of the size of the S/L-geometry however they open twice per revolution compared to once per revolution in 1/2 stage geometries. Therefore D/P-geometry rotors/stators have a 50% increase in the flow per revolution compared to S/L-geometry. The 2-stage NEMO® Pump in D-geometry can reach differential pressures of up to 12 bar (170 psi)

at a flow rate of 150% over that of the S-geometry. A single-stage NEMO® Pump in P-geometry, has the same outer dimensions as the 2-stage pump in D-geometry, the same ellipse and eccentricity but a pitch double that of the D-geometry rotor/stator. Therefore the pump produces a flow rate of 300% over that of the S-geometry at a differential pressure of up to 6 bar (85 psi).

S-Geometry

- very smooth conveyance
- compact dimensions despite high number of stages
- large cross sections of rotor inlet
- low flow velocity/NPSH
- conveyance of compacted products possible
- conveyance of large solid particles



- 1/2 lobe
- Double stage
- Flow rate: 100 %
- Differential pressure: 12 bar (170 psi)

L-Geometry

- greater volumetric efficiency/long service life due to long seal lines between rotor and stator
- compact dimensions together with high flow rates



- 1/2 lobe
- Single stage
- Flow rate: 200 %
- Differential pressure: 6 bar (85 psi)

D-Geometry

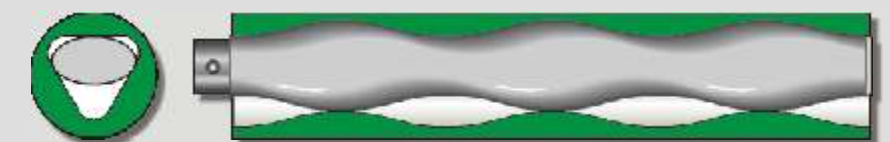
- extremely compact dimensions despite high pressures and flow rates capabilities
- almost pulsation free conveyance
- high dosing accuracy



- 2/3 lobe
- Double stage
- Flow rate: 150 %
- Differential pressure: 12 bar (170 psi)

P-Geometry

- compact dimensions in conjunction with very high flow rates
- almost pulsation free conveyance
- high dosing accuracy
- good volumetric efficiency/long service life due to long seal line between rotor and stator



- 2/3 lobe
- Single stage
- Flow rate: 300 %
- Differential pressure: 6 bar (85 psi)

Type of Joints

The Proper NEMO® Joint for every Application



General

The correct joint design in a NEMO®

Pump has a decisive influence on the operational reliability and life cycle cost. The optimal joint for the respective pump series is selected depend-

ing upon application, operational conditions as pump series is selected depending upon application, operational conditions as well as the flow rates.

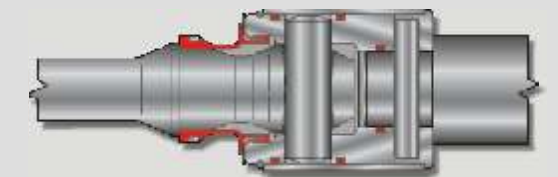
B Universal Pin Joint

The NEMO® Universal Pin Joint is the standard joint for NEMO® industrial pumps because of its simple design and outstanding reliability. To achieve

a long service life, the joint is oil filled and sealed by the NEMO® SM® seal. The joint can also be used without seal in case of extremely high temperatures and products where elastomers are not suitable. The joint consists of a minimum number of parts

that enables simple dismantling for maintenance.

B Universal Pin Joint with SM® Seal



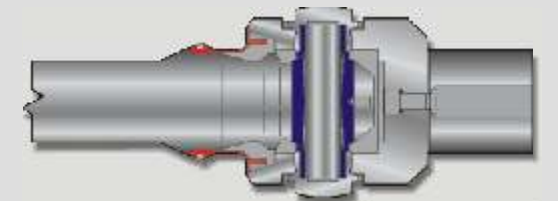
V Pin Joint

The operational characteristics of the NEMO® V pin joint are similar to

those of the B pin joint. For longer service life in difficult applications they are strengthened by hardened bushings fitted into boreholes in the coupling rod and the rotor/drive shaft

head. The V pin joints with hardened bushings are easy to remove for maintenance purposes. Standard on the 125 pump size.

V Pin Joint with hardened bushings and with SM® Seal



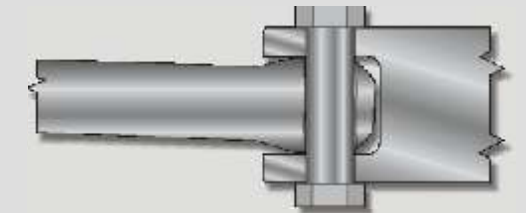
H Hygienic Pin Joint

The open, patented pin joint was

designed specifically for use in hygienic pumps. It is crevice and dead space free, polished and, therefore, easy to clean. The joint is

made in accordance with US 3-A Sanitary Standards.

H Hygienic Pin Joint patented



F NEMO® Flextec Flexible Rod

The patented flexible rod is wear- and maintenancefree because there are no components moving against each other as in other joint types. Neither

lubrication nor seals are required. Therefore, the flexible rod is suitable for high pressures and temperatures. The flexible rod is also free from crevices and dead spaces which allows it to be used for pumping highly sensitive products in aseptic

conditions. It is designed in accordance with the US 3-A Sanitary Standards.

F NEMO® Flextec Flexible Rod patented



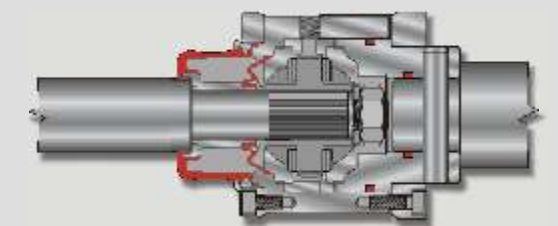
K Joint

The patented K joint was designed for extremely arduous industrial applications involving constant pump running, frequent stop/starts or shock

loads. It is kinematically designed so that the torque and axial loads are borne by separate elements within the joint. The joint is oil filled and hermetically sealed by two seals which are resistant (compatible) against the lubricant and the pumped

product. Filling the space between the two seals with oil allows the use of the joints at pressures up to 12 bar (170 psi).

K Joint patented



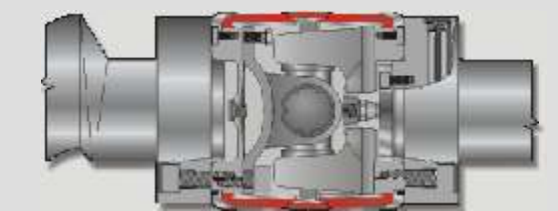
Z Double Seal Pivot Joint

For the largest flows and pressures possible with NEMO® pumps where the torques and axial loads are at

their highest (in bearing housing size NM 125SY and above) the pumps are fitted as standard with a cartridge type precision pivot joint. The joint is oil filled, hermetically sealed by two seals which are resistant (compatible)

against the lubricant and the pumped product. It is suitable for continuous operation.

Z Double Seal Pivot Joint



NETZSCH in the Oilfield

General Features of NETZSCH Oilfield Pumps and Systems



General

NETZSCH offers the complete eccentric screw pump program for up and downstream production complete with the necessary equipment such as pump, drive head and motor, control cabinets, rods and other accessories. The range of pumps includes downhole pumps, submersible downhole pumps, transfer pumps, multi-phase pumps and injection pumps. These pump systems are used for a continuous, pressure stable, non-emulsifying, almost pulsation-free conveyance of waste water and crude oil.

Wide Scope of Applications

The pumps are mainly used for fluids with the following properties:

- high solid content (up to 30 % sand) and also free of solids
- low to high viscosities
- abrasive
- high content of gas
- high content of water
- high fluid and environmental temperature

Large Range of Capacities and Pressures

- capacities from 6 bpd up to 2,200 bpd
- pressures up to 240 bar (3,400 psi)
- installation depth up to 2,200 m (7,700 ft)

Submersible Downhole Pumps

Above all, this system is suitable for deep installation including doglegged and horizontal bore holes. A remarkable feature of this conveying system is that no rods are required and, thus, wear on the tubing is dramatically reduced.

Transfer Pumps and Multi Phase Pumps

NETZSCH Transfer and Multi-Phase Pumps have proved to have a long service life even in the case of fluids with high solids and gas contents. Consequently, operational and maintenance costs are low as well as is the initial investment cost.

Injection Pumps

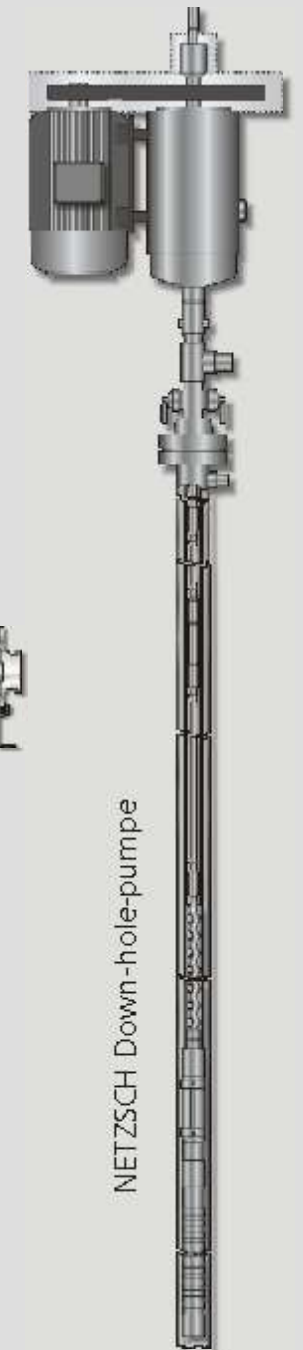
NETZSCH high-pressure pumps are rated for pressures up to 240 bar (3,400 psi) for universal applications. They are also suitable for water re-injection. The system is insensitive to high solid content in the fluid and has a low energy consumption due to its high efficiency.



NETZSCH Water re-injection pump



NETZSCH Transfer- and Multi-phase pump



NETZSCH Down-hole-pumpe

NETZSCH Dosing and Emptying NEMO[®] Dosing Components



General

Through continuous product development and the implementation of wide process experience gained over many years of close co-operation with industry leading customers NETZSCH is, in the field of dosing and dispensing, able to provide innovative and reliable solutions to the most demanding of today's applications.

Product Programme of Dosing Technology

The product programme of dosing technology contains:

NEMO[®] Dispenser and Hand Dispenser

Capacities from ca. 0.1 ml up to 10 ml chamber volume per revolution.

NEMO[®] Barrel Emptying Units

Standard units for the emptying of barrels from 2 l to 200 l. Special barrel emptying units, up to 1000 l on request. Capacities from ca. 0,002 m³/h up to ca. 4,8 m³/h. Clean emptying, better than 99 % emptying without liner.

Advantages

- Low shear pumping and dosing of high viscosity, highly abrasive and filled products.
- Product remaining in barrel after emptying < 1-2 % of the total volume
- No pressure or flow hiatus in the system
- Valve less dosing system ideal for filled products
- Speed proportional dosing
- Volumetric dosing accuracy >99 %
- Repeatable accuracy > 99 %
- Dosing accuracy is independent of the viscosity
- Simple integration with robots
- Continuous, gentle, and pulsation free
- With suck-back, no dripping or stringing by dosing
- Low life cycle costs
- Low system working pressures
- Complete heating possible
- Servo drives available for high loads

NEMO[®] Cartridge Emptying Units

For the emptying of all popular cartridge sizes by means of a pneumatic cylinder, whereby no compressed air is introduced into the product during operation.

NEMO[®] Buffer Vessel

Buffer Volume ca. 1.0 l; delivers a constant feed pressure for the dispenser to ensure the highest levels of dosing accuracy. Also enables barrel changes without interrupting production.

NEMO[®] Mixing Components

Static mixers for 2 components applications.

NEMO[®] Control Systems

From simple Start/Stop control up to complex control for 2 component dosing; designed for each individual application.

Example for an Automatic Dosing Unit



1 Dispenser

3 Electrical Control

5 Linear-Robot

2 Barrel Emptying Unit

4 Touch Screen

6 Enclosure

General Characteristics of NEMO® Barrel Emptying Pumps

General

NEMO® Barrel emptying pumps draw themselves towards the bottom of the barrel and empty barrels and containers in chemical, pharmaceutical and food industries with the absolute minimum of product wastage. The heart of the barrel emptying system is a NEMO® Progressing cavity pump. When the NEMO® pump is started a vacuum is created below the follower plate, which at the same time creates a light pressure on the media to guarantee a consistent suction into the pump.

Wide Range of Applications

NEMO® Barrel emptying pumps are predominantly used for media with the following properties:

- low to very high viscosity
- dilatant, thixotropic or having a viscous structure
- highly filled products
- shear- and pressure sensitive
- highly abrasive
- lubricative and non lubricative
- adhesive and gel like
- heated and unheated

Large Range of Capacities

- Capacities from approximately 2 l/h to 4800 l/h

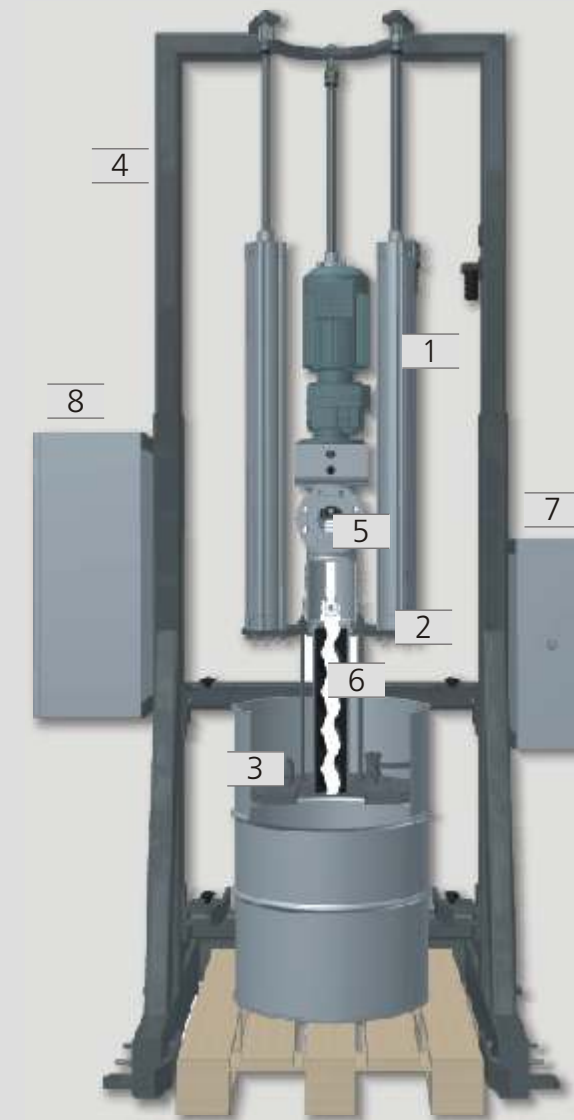
Barrel sizes

- Barrels between 1 l to 200 l as standard
- Special barrels up to 1000 l

Advantages

- nearly shear free conveyance and dosing of highly viscous, abrasive and filled products
- continuous or intermittent discharge
- complete discharge, residues < 1 - 2%
- no pressure or flow hiatus
- smooth dosing with hardly any pulsation
- low pressure on the follower plate in the barrel
- discharge of conical barrels
- low pressure conditions in the system
- continuously adjustable discharge capacity through the speed of the drive
- dosing directly from the barrel

Example of a NEMO® Barrel Emptying Unit BET 200



1 Pneumatic cylinders

2 Adapter for pump

3 Follower plate

4 Frame

5 NEMO® Pump

6 Rotor / Stator

7 Pneumatic control

8 Electrical control

Features and Construction of the TORNADO® Industrial Rotary Lobe Pump



Universal Use

TORNADO® industrial rotary lobe pumps are used in the environmental and chemical industries for the continuous, smooth and almost pulsation-free conveyance of almost all fluids, as well as dosing them in proportion to speed. They are highly efficient and only require limited installation space.

Wide Spectrum of Applications

- This pump is normally used for products having the following properties:
- with or without solids (max. size of solids up to 70 mm / 3")
 - low to high viscosity (1 mPas - 1 million mPas)
 - thixotropic and dilatant
 - shear sensitive
 - abrasive
 - non-smearing and smearing

Large Range of Capacities and Pressures

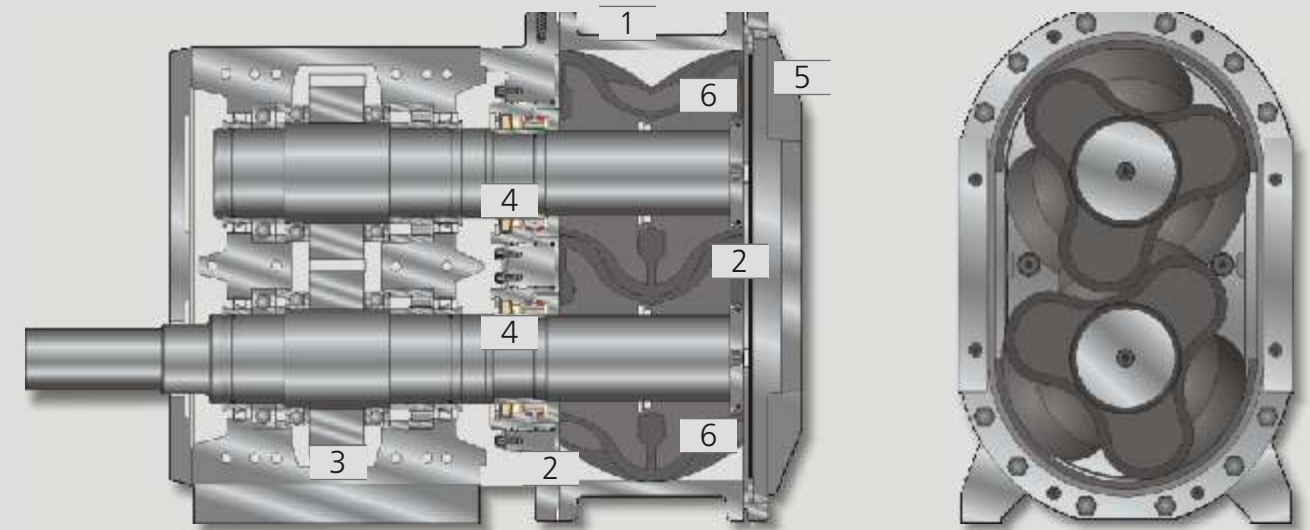
- capacities up to 1000 m³/h (8.8 up to 4,428 gpm)
- pressures up to 6 bar (85 psi)

Alternative Rotating Elements

For specific applications four different types of rotary lobes are available.

Additional Features

- high suction capability of up to 8 mwc (26 ftwc)
- intermittent dry run capabilities
- reversible direction of rotation and flow
- vertical or horizontal installation
- vibration free and quiet running
- low life cycle cost and service friendliness



1 Housing

Modular design with an adjustable housing for long service life

2 Protection Wear Plates

Highly abrasive resistant and replaceable protection plates located on both sides of the lobes.

3 Timing Gear

Patented timing gear design with open space between pump seals and gear housing prevents cross contamination of gear case and bearings.

4 Shaft Seal

Easy to service shaft seals with single acting and wear resistant mechanical seals independent of the direction of rotation. Installation of any DIN/ISO Standard mechanical seal is possible.

5 Housing Cover Plate

Rotary lobe, pump and gear seals can easily be serviced or exchanged after removal of the cover plate without having to remove pump housing or gears.

6 Rotary Lobe

For different applications two to four bladed, straight or bevelled, rotary lobes in various elastomer qualities are available.

Features and Construction of the NETZSCH M-Ovas[®]



Universal Use

The NETZSCH M-Ovas[®] is particularly useful in all industries, where particles in the medium endanger process reliability. All solids in the medium are reliably macerated to prevent pipework and downstream equipment from blocking.

Wide Range of Applications

The NETZSCH M-Ovas[®] is particularly suitable for the use in the following industries:

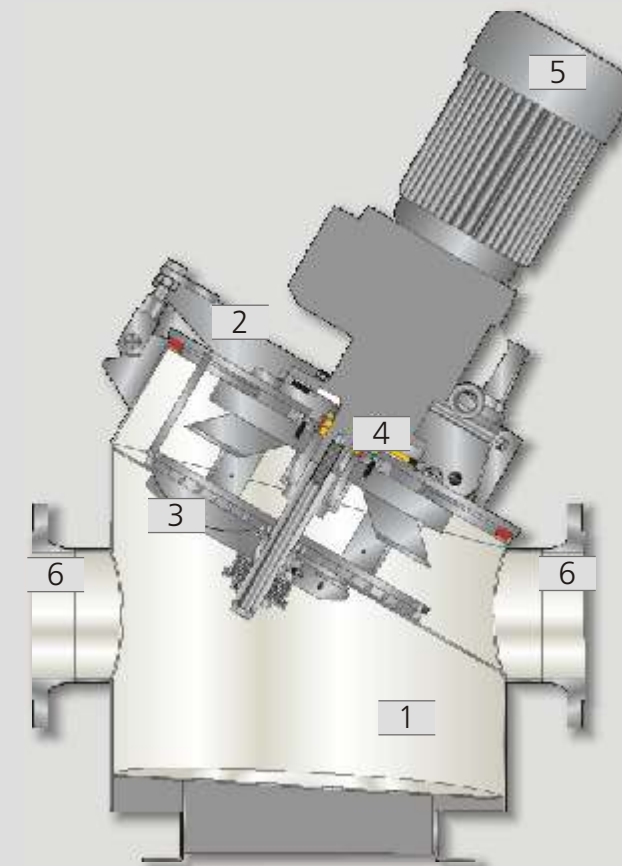
- Sewage and waste water treatment
- Biogas plants
- Abattoirs
- Organic biological waste recycling plants
- Rendering plants
- Paper and Pulp production
- Agriculture
- Sugar factories
- Leather production
- Spas and health resorts

High Delivery Capacities

- Flow capacities up to 300 m³/h of waste water and sludge with up to 7 % dry solids content
- Two sizes of model available depending on the flowrate

Advantages

- Compact design for high flow rates
- Easy and fast disassembly of cutting plate and blade units
- Low energy demand at high flow rates
- Integrated stone trap with separate clean-out and drain ports
- Easy access allows simple disposal of the sediment
- Self-adjusting blades reduce maintenance and ensure optimal cutting performance
- Sealing by means of a mechanical seal with grease quench



1 Housing

A hydrodynamic design with integrated stone trap for solids, with a clean-out port. The sediment can easily be removed by opening the cover plate. The housing is galvanised to ensure corrosion resistance.

2 Housing Cover

Cutting unit integrated into housing cover. A gas strut is fitted to the cover to assist opening. This allows for easy cleaning of solids in the stone trap.

3 Cutting unit

Cutting plate of wear resistant, hardened steel. Optimum cutting performance through a cutting unit with self-adjusting blade mechanism. Blades made from wear resistant hardened steel. The flywheel effect of the cutter head reduces the installed power. Easy exchange of cutting plate and cutting blades without the necessity to disassemble the pipework.

4 Shaft Seal

Hard metal faced mechanical seal with grease quench to prevent product leakage.

5 Drive

The standard drive unit has reinforced bearings.

6 In-line Version

Product inlet and outlet are positioned on the same level. The NETZSCH M-Ovas[®] can be directly connected to a horizontal pipeline or to a NEMO[®] Pump inlet where flange is set at 90°.

NETZSCH Macerating Systems

Construction of the NETZSCH Twin Shaft Macerator



Universal Use

NETZSCH Macerating Systems are designed for the most arduous of industrial applications to prevent pipe blockage and damage to downstream equipment by reliably reducing the size of solid matter in pumped media.

For applications with particularly chunky and sturdy solids in the waste water flow the NETZSCH taskmaster® is needed.

Wide Range of Applications

The NETZSCH Taskmaster® is particularly suitable for the use in the following industries:

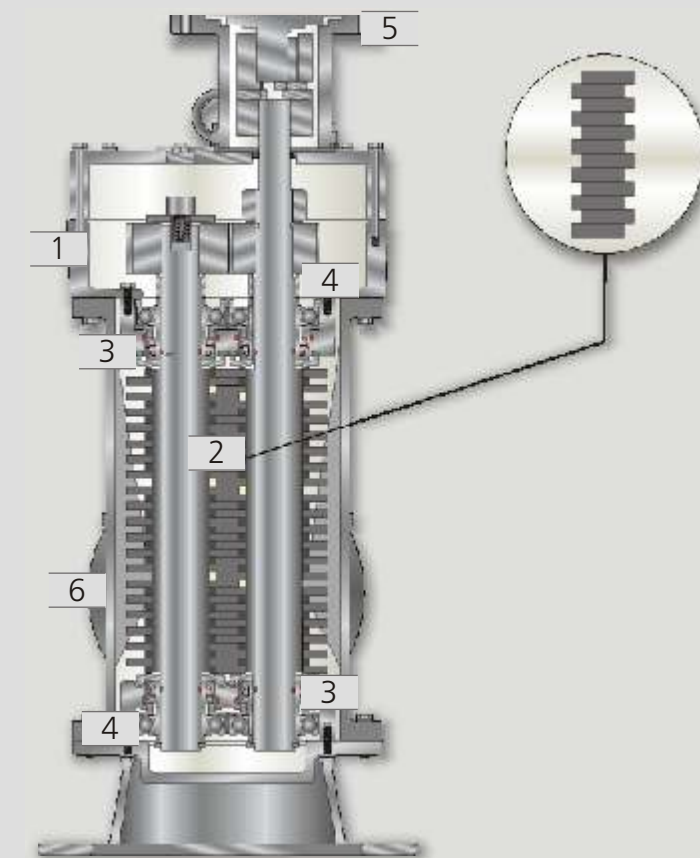
- Waste water treatment
- Agriculture
- Slaughterhouses and recycling plants
- Canning/tinning factories
- Industrial kitchens
- Sugar factories

High Delivery Capacities

Capacities from 1 m³/h to 270 m³/h with a solids content rate of up to 10 %.

Advantages

- Optimized cost performance ratio
- Low running costs through highest efficiency
- High operational safety through simple maintenance
- Through the different, very low number of revolutions of the shafts the NETZSCH Twin Shaft Macerator offers the option of self cleaning.
- The robust design of the NETZSCH Taskmaster® ensures a high performance coupled with trouble free operation.
- Whether aluminium tins, ladies sanitary products, glass, golf balls, wood, plastic, bones, sugar beet or rags need to be reduced we offer the technology to meet your requirements.



1 Housing

A robust hydrodynamic inline housing which can be directly connected into a pipeline. Also available as channel unit.

2 Cutting unit

High quality blades made of special steel reliably macerate the solids in the medium. To reach the required particle size, a selection of different blades is available.

3 Shaft Seal

The shaft is sealed with a cartridge type mechanical seal.

4 Bearing

Robust bearings on both ends of the shafts ensure smooth running and prevent the shafts from spreading when especially hard solids are encountered.

5 Lantern

Via an elastic coupling with flange every IEC motor or drive can be accommodated.

6 In-line Version

Product inlet and outlet are positioned on the same level. The NETZSCH twin shaft Macerator can be directly connected into a horizontal pipeline or to a pump inlet of a NEMO® Pump or a NETZSCH TORNADO®, industrial rotary lobe pump, where flange is set at 90°.

Taskmaster® manufactured by Franklin Miller

Seal Support Systems

To ensure the problem free operation of a shaft seal system it is often necessary to install a quench, flushing or pressurised barrier system so that the seal operates in ideal conditions.

- Chain Wrench
- Chemical Anchors
- Gear Joint Filling Unit
- Permanent Lubricator
- Pressurised Flushing for Double Mechanical Seal Systems
- Quench Pot
- Ring Dosing Nozzle
- Stator Removal Tool
- Strap Wrench

NEMO® Dosing Components

- 2C-mixing head
- Buffer storage
- Cartridge discharge
- Customer specific nozzle geometries
- Fittings
- heated and unheated hoses for all applications
- Nozzles and dosing needles, coated and uncoated

NETZSCH Controls

- Dosing Systems
- Filter Press Feed systems
- Frequency Inverters
- Motor Protection Devices
- Pressure Transducers

Process monitoring

NETZSCH Dry Running and Over-/Underpressure Protection devices avoid thermal destruction of stators and protect the pump and accessory equipment from unsuitable pressures. These devices continuously measure the stator temperature, as well as suction/discharge pressures, therefore increasing the operating reliability of the pump and minimising downtime.

- Diaphragm Pressure Gauge G3/4 Inch connection
- Diaphragm Pressure Gauge with DN50/PN40 flanged connection
- Dry Running protection for NEMOLAST® Stators
- Flow sensing unit for solid stators
- Multi Function Pressure Instrument
- Pressure Control Device DTSL 3
- Speed monitoring device

NETZSCH Optional Equipment, Fittings/Hoses and Tools

- Adjustable Feet and Foundation Bolts
- Adjustable Stator with Adjusting Device (NEMO® pump)
- Automatic Shut-off Devices, Valves, non return Valves
- Bypass Tubing with Control Switch or Pressure Relieve Valve
- Connecting, T and Welding Neck Flanges
- Custom-engineered Hoppers
- Coupling Rod with mixing/agitator Blade (NEMO® pump)
- Covers for Drives
- Heating Jacket
- Hoses and Hose Connections
- Mobile and Trailer mounted Units
- Pressure relieve Valve
- Ring Dosing Nozzle
- Seal Support Systems and Buffer Fluid Systems for Mechanical Seals
- Special Tools
- Stone Trap for heavy Solids
- Vibration Dampener

Protection Units and Trolley Assemblies

- Covers for drive motors
- Fixed wheels
- Machine feet elastic, star
- Pulling handle in stainless steel
- Steerable Wheels
- Trolley Assemblies
- Wheel mounting plates

NETZSCH Seminars for Users

Know-how and competence for your staff

Your benefit

- trained personnel for handling NETZSCH pumps
- avoid mistakes with installation and commissioning
- save costs by preventive maintenance and professional repairs
- save time when analysing damage and restarting pumps
- optimise your stock of NETZSCH Genuine Spare Parts

For more information, visit

www.netzsch.com

or contact your local business partner.

NETZSCH customers are entitled to the best service – We see to that!

To us, NETZSCH service is of equal importance as the quality of our pumps.

From planning via process monitoring

Consulting, service and quality are our strengths. When buying the pump you have decided on a quality product by NETZSCH with good reason.

In order to maintain the capacity and quality of your pump, we will support you in all matters, also after the delivery of the pump.

Skilled sales and service staff located near your site are at your disposal around the clock.

Process reliability

NETZSCH service together with quality and genuine parts ensure reliable operation of the pump in your plant. The experience from more than 500,000 pumps installed is the basis for this.

Availability

Five production sites guarantee immediate supply of parts in all regions of the world.

Mounting, installation, after sales service – simply ask our service team!

Around the clock on 7 days a week through our

Service-Hotline +49 172 6725573

In your area well-trained service partners are available for quick and economic service of the pumps at your premises. You will find your personal service partner in our homepage

www.netzsch.com

or by our service team.

Quality

Strict quality standards, tests and the certification according to DIN EN ISO 9001 guarantee all parts are of a consistent quality to the highest degree.

Registered Trademarks TM and ®

- The heart of your process
- NETZSCH, NEMO
- NEMO PUMPEN
- NEMO CERATEC
- iFD-Stator, NEMOLAST
- SBBPF, EPBPF, SM, NE, NM
- TORNADO, M-Ovas, aBP-Module
- M.Champ, C.Pro, B.Max
- pMT-Pilot, N-Ipos, N-Elor

NETZSCH

www.netzsch.com

NETZSCH Mohnopumpen GmbH
Geretsrieder Straße 1
84478 Waldkraiburg
Deutschland / Germany
Phone: +49 8638 63-0
Fax: +49 8638 67981

E-mail: info.nmp@netzsch.com
www.netzsch.com
